

# Series N filters and coalescing filters

New version

Ports: G1/8, G1/4



» Available with:  
transparent PA12 bowl or  
nickel-plated brass bowl  
for the small version (N1)

Series N filters are available with G1/8 and G1/4 gas ports. The models are available with 3 different filtering elements: 25, 5 and 0.01µm.

The version with semi-automatic manual drain is equipped with a transparent bowl that makes the monitoring of the condensate level very easy.

The version with metal bowl is particularly suitable for applications subject to impacts or in the presence of aggressive agents that could damage the PA12 bowl.

## GENERAL DATA

<b>Construction</b>	HDPE and coalescing filtering element
<b>Materials</b>	brass, transparent PA12 or nickel-plated brass, NBR
<b>Ports</b>	G1/8 - G1/4
<b>Max. condensate capacity</b>	11 cm <sup>3</sup> (bowl size = 1) 28 cm <sup>3</sup> (bowl size = 2)
<b>Weight</b>	0.220 kg
<b>Mounting</b>	vertical, inline
<b>Operating temperature</b>	-5°C + 50°C at 10 bar (with the dew point of the fluid lower than 2°C at the min. working temperature)
<b>Quality of delivered air according to ISO 8573-1 2010</b>	Class 7.8.4 with 25 µm filtering element Class 6.8.4 with 5 µm filtering element Class 1.8.1 with 0.01 µm filtering element
<b>Draining of condensate</b>	semi-automatic manual
<b>Operating pressure</b>	0.3 + 16 bar (with depressurisation max 10 bar)
<b>Nominal flow</b>	see diagrams

**CODING EXAMPLE**

N	2	04	-	F	0	0	-
---	---	----	---	---	---	---	---

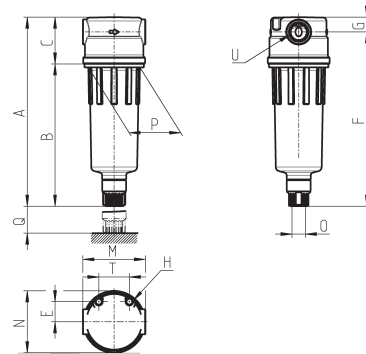
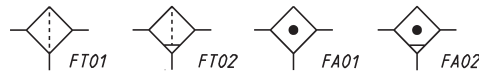
<b>N</b>	SERIES
<b>2</b>	SIZE: 1 = small bowl (11 cm³) 2 = normal bowl (28 cm³)
<b>04</b>	PORTS: 08 = G1/8 04 = G1/4
<b>F</b>	F = FILTER
<b>0</b>	FILTERING ELEMENT: 0 = 25µm (standard) 1 = 5µm B = 0.01µm
<b>0</b>	TYPE OF CONDENSATE DRAIN: 0 = semi-automatic manual drain 4 = depressurisation (normal cup only) 5 = protected depressurisation (normal cup only) 8 = no drain, direct G1/8 exhaust
	BOWL MATERIAL: = transparent PA12 (standard) TM = nickel-plated brass (only in the small size with semi-automatic manual drain or without drain)

**Filters Series N**



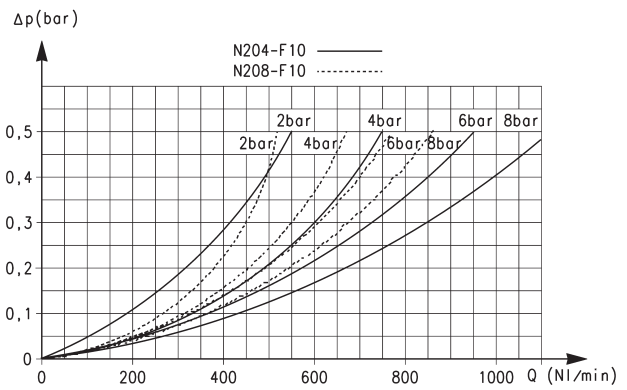
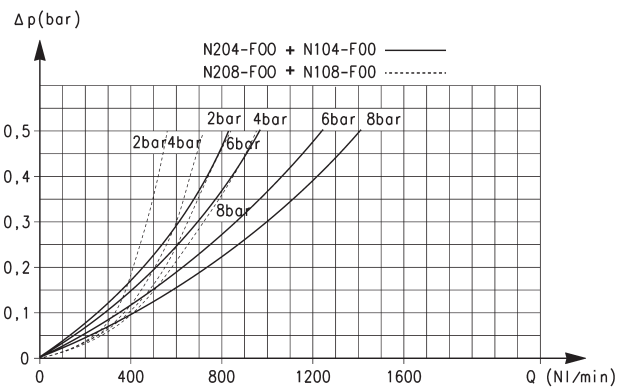
**Filters Series N**

- FT01 = filter without drain with threaded port
- FT02 = filter with semiautomatic manual drain
- FA01 = coalescing filter without drain with threaded port
- FA02 = coalescing filter with semi-automatic manual drain



DIMENSIONS															
Mod.	A	B	C	E	F	G	H	M	N	O	P	Q	T	U	
<b>N108-F00</b>	111	78	33	14.5	101	10	M5	45	44.5	G1/8	38	40	22	G1/8	
<b>N104-F00</b>	111	78	33	14.5	101	10	M5	45	44.5	G1/8	38	40	22	G1/4	
<b>N208-F00</b>	135	102	33	14.5	125	10	M5	45	44.5	G1/8	38	40	22	G1/8	
<b>N204-F00</b>	135	102	33	14.5	125	10	M5	45	44.5	G1/8	38	40	22	G1/4	

FLOW DIAGRAMS



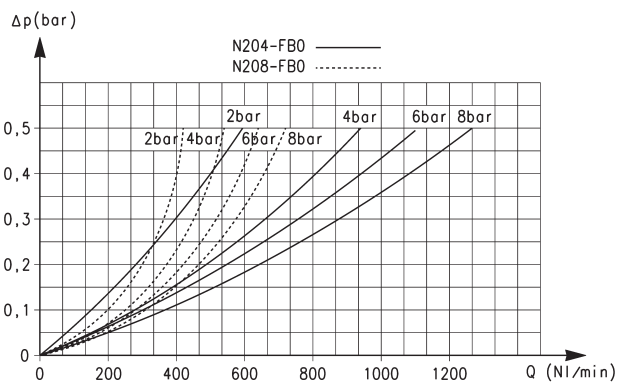
Flow diagram for models:  
 N204-F00 - N104-F00 = \_\_\_\_\_  
 N208-F00 - N108-F00 = - - - - -

$\Delta P$  = Pressure drop  
 Q = Flow

Flow diagram for models:  
 N204-F10 = \_\_\_\_\_  
 N208-F10 = - - - - -

$\Delta P$  = Pressure drop  
 Q = Flow

FLOW DIAGRAMS



Flow diagram for models:  
 N204-FB0 = \_\_\_\_\_  
 N208-FB0 = - - - - -

$\Delta P$  = Pressure drop  
 Q = Flow